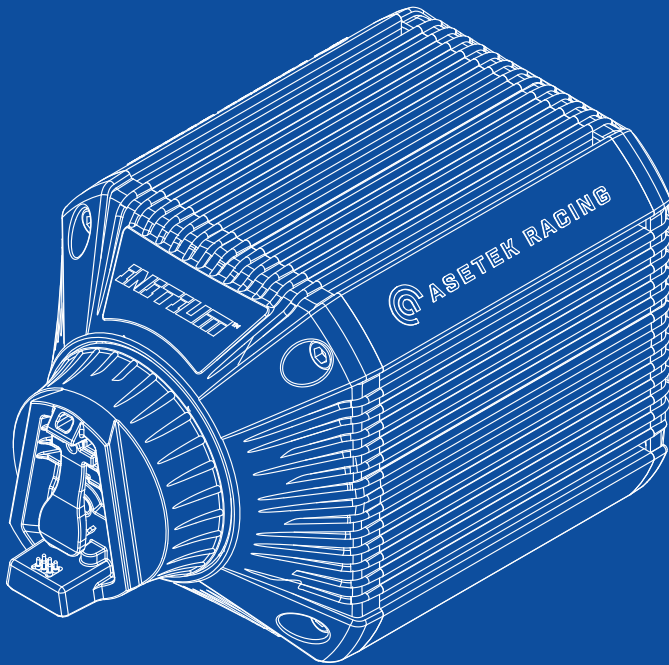


**INITIUM™**

# Direct Drive Wheelbase Manual



**ASETEK RACING™**

**Thank you for purchasing the  
Asetek Racing™ Initium™ Wheelbase.**

You have made an excellent choice! We are sure the Asetek Racing™ Initium™ Wheelbase will help you take your sim racing experience to the next level. Whether you are a seasoned racer or a gamer who wants to dive into something new, the Initium™ line is made for you.

Prepare for the sensation of being in a real race car.

# Table of contents

Foreword .....	4
About This Document .....	4
Symbols Used .....	5
Copyright .....	5
1. Introduction .....	6
1.1 Box Contents .....	6
1.2 Videos .....	7
1.3 Manual version .....	7
1.4 Support & Contact .....	7
2. Product .....	8
2.1 Intended Use .....	8
2.2 Compatibility .....	8
2.3 Reasonably Foreseeable Unintended Use .....	9
2.4 General Specifications .....	9
2.5 Warnings and guidelines for safe operation .....	10
2.6 Safe Usage Instructions .....	11
3. Product Overview .....	12
4. Getting Started .....	13
4.1 Mounting Instructions .....	13
4.1.1 Mounting Instructions for included table mount .....	14
4.2 Connecting .....	16
4.3 Switching Input Modes .....	17
5. RaceHub™ Software .....	18
5.1 RaceHub Download .....	18
5.1.1 RaceHub Installation .....	18
5.1.2 RaceHub Updating .....	18
5.2 RaceHub Introduction .....	18
6. Troubleshooting .....	19
6.1 Spare Parts .....	19
7. Safety .....	20
8. De-commissioning & Sustainability .....	22
8.1 Packaging .....	22
8.2 Product .....	23
9. Declaration of conformity .....	23

# Foreword

## About This Document

This manual is written for the end-user of the Asetek Racing™ Initium™ Direct Drive Wheelbase (hereon after: “wheelbase”) and contains all information required to correctly and safely install, use and maintain the following models:

<b>Model Name</b>	<b>WB-3</b>
<b>Product Name</b>	<b>Initium™ Direct Drive Wheelbase</b>
<b>Product Code</b>	<b>40-020-0020005 40-020-0020006 40-020-0020007</b>

This manual was authored in English. All other languages are translations of the original document.


Please make sure that you have thoroughly read and understood all contents of this manual before installing or using the wheelbase.

If anything in this manual is unclear, please contact Asetek SimSports Support. Available at [www.asetek.com/simsports/support/](http://www.asetek.com/simsports/support/)



Please note the serial number on your product before contacting the support. The serial number can be found on the bottom of the wheelbase and written here for your convenience:



<b>Serial Number</b>	
<b>Asetek Denmark A/S Skjoldet 20 9230 Svenstrup J Denmark www.asetek.com</b>	 <b>ASET EK RACING™</b>

## Symbols Used

Make sure you pay attention to all warnings and symbols on the product and packaging.

---

This indicates that the product could be damaged if the instruction is not followed correctly



---

## Copyright

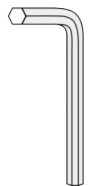
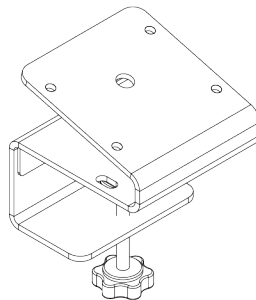
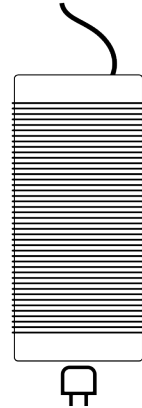
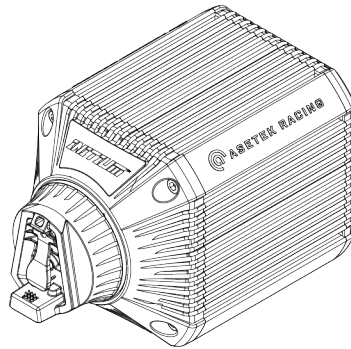
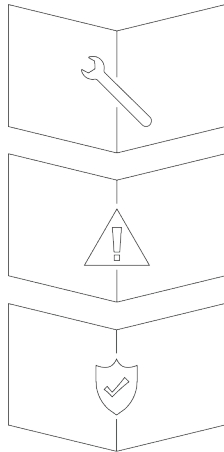
The content of this manual is protected by copyright and other international intellectual property laws. The contents of this manual or any parts thereof may only be made public, copied, modified, reproduced, translated with express written permission from Asetek. This manual or any parts thereof may only be published, transmitted, displayed, or made available to a third party with express written permission from Asetek Racing™ or Asetek SimSports®.

# 1. Introduction

## 1.1 Box Contents

The box contains the following components and accessories:

- 1 x Initium Wheelbase
- 1 x Power supply
- 1 x Power supply AC-cable (EU)/(UK)/ (US)
- 1 x 2m USB-C to USB-C cable
- 1 x Table Clamp (max. table thickness 45mm)
- 1 x Allen key 4mm
- 4 x M6x12mm Screws
- Wheelbase Manual
- Safety Information
- Product Warranty



## 1.2 Videos

On the Asetek SimSports® YouTube channel, you can find tutorial videos which demonstrate numerous ways to set up and use your equipment.  
<https://www.youtube.com/aseteksimsports>



## 1.3 Manual version

This manual is version 2.0.  
You will always be able to find the latest version of the manual at:  
[www.asetek.com/simsports/knowledge-base/](http://www.asetek.com/simsports/knowledge-base/)



## 1.4 Support & Contact

Should you stumble upon further questions that are not covered in this manual or any of our detailed instruction videos, we encourage you to contact our friendly support staff at  
<https://www.asetek.com/simsports/support/>



# 2. Product

## 2.1 Intended Use

The Wheelbase is designed to be used for racing simulation and simulate the feel of a race car. The wheelbase can be directly connected to any PC with a USB port or Xbox Series X|S and is intended to be mounted on the Table, with an included wheelbase mount, or mounted in a sim racing cockpit. All Asetek wheelbases feature our own unique quick release system that makes changing steering wheel as easy as shifting gears – literally. To disconnect the wheel from the base, all you have to do is press the paddle on top of the wheel and the wheel will be in your hands. Needless to say, we are not relying on wireless signals, batteries that need to be charged, or cables that can break or fall off. Everything is included in our easy-to-use no-play quick release.

The wheelbase is compatible with all Asetek Racing™ and Asetek SimSports® wheels without a Raceview display. The wheels can be bought in our webshop or at an Asetek SimSports® and Asetek Racing™ authorized dealer. Information on the wheels can be found on our webshop: <https://www.asetek.com/simsports/webshop/>



**The wheelbase is intended for indoor use only**



**Recommended ages 15 and above**

## 2.2 Compatibility

<b>Platform(s)</b>	<b>PC (Windows 11), Xbox Series X S (with Xbox-licensed wheel)</b>
<b>Games</b>	<b>you can find the list of supported games here: <a href="https://www.asetek.com/simsports/racehub/supported-games">https://www.asetek.com/simsports/racehub/supported-games</a></b> 



## 2.3 Reasonably Foreseeable Unintended Use

The following is considered misuse and may void the warranty:

- Use of adaptors or extension sets for cables;
- Use of other cables than provided with the product;
- Use in an environment that varies from or exceeds the given environmental conditions;
- Use that varies from or exceeds the given operating conditions;
- Failure to comply with the instructions in this manual;
- Failure to eliminate faults, malfunctions, or defects of the product that impose safety risks;
- Unauthorized removal or modification of parts or safety devices of the product;
- Use of spare parts or accessories that Asetek SimSports® or Asetek Racing™ has not approved;
- Mounting and/or use of any parts in a vehicle;
- Operation in a flammable and/or explosive environment.
- Disassembly of the quick release.

## 2.4 General Specifications

<b>Asetek SimSports® Quick Release</b>	<b>Wheelbase side only</b>
<b>Max Torque</b>	<b>5.5 Nm</b>
<b>Angle sensor</b>	<b>14 bit</b>
<b>Power supply</b>	<b>96 W</b>
<b>Wheelbase dimensions</b>	<b>133 x 132 x 235 mm 5.24 x 5.20 x 9.25"</b>
<b>Mounting holes</b>	<b>T-nuts M6 x 4 pcs threaded hole</b>
<b>Mounting hole pattern width</b>	<b>87 mm 3.43"</b>
<b>Mounting hole pattern length</b>	<b>Variable length 30 mm to 100 mm 1.18" to 3.94"</b>
<b>Wheelbase weight</b>	<b>5.7 Kg / 12.57 lb</b>
<b>Standard warranty</b>	<b>24 months</b>
<b>Operating Temperatures</b>	<b>0°C to 40°C, room temperature 32°F to 104°F, room temperature</b>

## 2.5 Warnings and guidelines for safe operation

- The Wheelbase is intended for professional and recreational gaming use. Usage under other conditions is under the user's own responsibility.
- Do not grab, hold, or insert fingers and/or objects to the rotating parts in a way where letting go immediately is not always possible.
- When operating the quick release, always USE POWER ON/OFF BUTTON to cut power to the motor and stop further motion, rotation, and torque.
- Do not enable torque before a wheel has been securely attached.
- Do not operate the quick release while the wheelbase is powered ON. Do not turn ON the wheelbase before a wheel has been securely attached.
- Do not set torque level higher than the level the user can safely hold with a single hand grip.
- If torque gets too high to control safely, let both hands off the wheel and press the POWER ON/OFF BUTTON.
- Preventing motion by the means of RaceHub™ or simulator software are not reliable ways to prevent motion.
- Wheelbase user must be an adult and physically and mentally fit person.
- Usage of the wheelbase is allowed only by an instructed person who understands and follows the above safety instructions.
- If the wheelbase becomes damaged in any way, stop using it immediately and contact Asetek support or the reseller from who you have bought the wheelbase.
- Using the vibration and force feedback may cause damage to your health.
- Do not open the casing of the wheelbase or the power supply. There are no user serviceable parts inside, and disassembling will void manufacturer's warranty.
- Do not use the wheelbase with a power source other than the power supply packaged with the wheelbase or received from an authorized reseller.
- Do not use the wheelbase with any cables other than the cables packaged with the wheelbase or received from an authorized reseller.
- The wheelbase has magnets which may interfere with pacemakers, defibrillators and programmable shunt valves or other medical devices. Do not put this product close to these medical devices and the person who use any of these medical devices. Consult your doctor before using this product if you have any concerns.
- Included power supply is not intended to withstand physical stress. Do not damage or mishandle the power supply.
- **Operating environment:**
  - 0°C – 40°C room temperature, non-condensing humidity
  - Do not expose the wheelbase to direct sunlight
  - Indoor use only
- **Rotating high torque parts:**
  - Shaft torque up to 5.5 Nm
- **Hot surface:**
  - Wheelbase surface temperature may reach 70°C or 158°F.
  - Sudden rotation/vibration
  - Wheelbase may start producing motion unexpectedly
  - Please note that the wheelbase can get hot when used which is normal operating procedure.



Rotating shaft  
Rotierende Welle  
Arbre rotatif  
Eje giratorio



High torque  
Hohes Drehmoment  
Couple élevé  
Torque alto

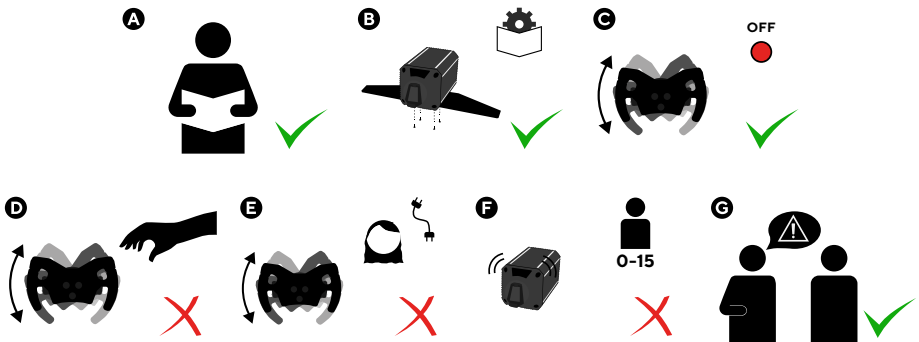


Hot surface  
Heisse Oberfläche  
Surface chaude  
Superficie caliente

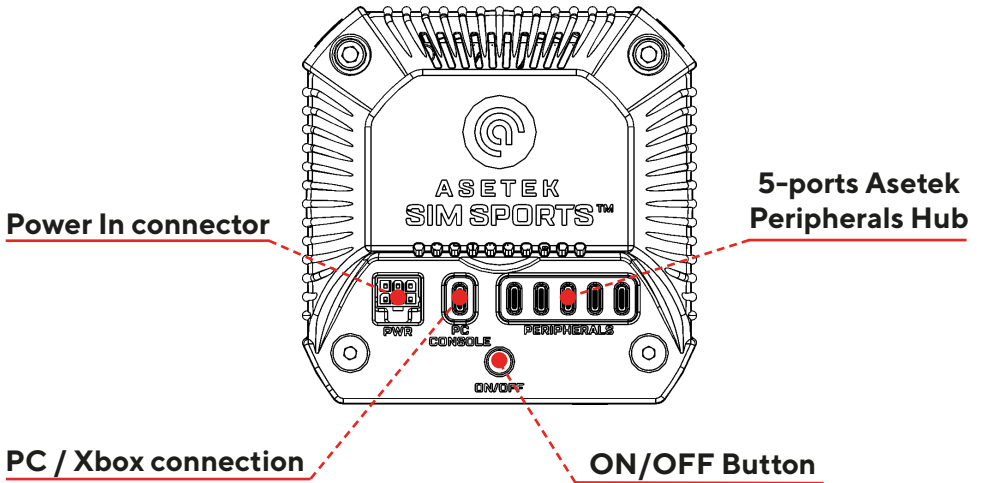
## 2.6 Safe Usage Instructions

- A: Read the user manual before installing and operating the wheelbase.
- B: Mount the wheelbase securely to a rigid platform before use. Use a bracket provided in the box or a bracket that is compatible with your wheelbase. Never operate the product without mounting it first.
- C: Use the power off button to stop and prevent motion.
- D: Keep your hands away from a freely rotating wheel. If the torque gets too high to control safely, let both hands off the wheel and press the torque off button.
- E: Keep hair, cables, clothing, and other loose items clear from the rotating parts.
- F: Children under the age of 15 years are not allowed to use the wheelbase in high torque mode.
- G: Inform other users of the wheelbase about safe usage.

If you are in doubt about any of the above listed items, please reach out to our customer support (See chapter 1.4).



# 3. Product Overview



# 4. Getting Started

This section will teach you how to get your wheelbase set up and running. Later in the manual, you will learn more about the software.

## 4.1 Mounting Instructions

The Wheelbase can be mounted in numerous ways depending on your preferences. From the factory the wheelbase is delivered with 4 T-nuts in the bottom of the wheelbase. These T-nuts can slide back and forth in the length of the wheelbase. Mount the wheelbase motor unit securely to a rigid, stable platform (a racing rig with compatible screws or a table with included table clamp are recommended) before operating. The user must confirm that the racing rig, table, or other stable surface being used for mounting can handle the weight load (approximately 12kgs / 26 lbs.) and the forceful torque and high-velocity rotational motion of the wheel.

We recommend that you mount your wheelbase with the included wheelbase mount or one you can find in our webshop or at an Asetek SimSports® and Asetek Racing™ authorized dealer

<https://www.asetek.com/simsports/webshop>



To mount the Wheelbase to the table mount included, follow the mounting instructions in chapter 4.1.1 or find the mounting instruction video in the following playlist.

If you have already bought an additional Asetek SimSports® wheelbase mount, you can find mounting instructions here:

[https://www.youtube.com/playlist?list=PLDB\\_GeNBCcOra97JjanFEj3f9IbSFYRcr](https://www.youtube.com/playlist?list=PLDB_GeNBCcOra97JjanFEj3f9IbSFYRcr)



## 4.1.1 Mounting Instructions for included table mount

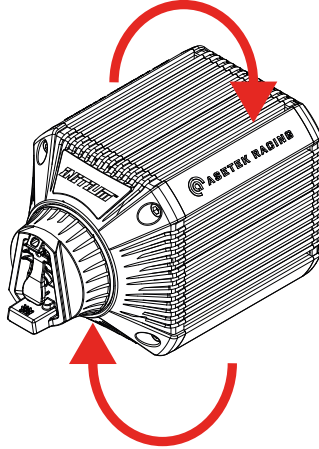
To mount the wheelbase to your table, you will need the following tools:

- Allen key, 4 mm (included)

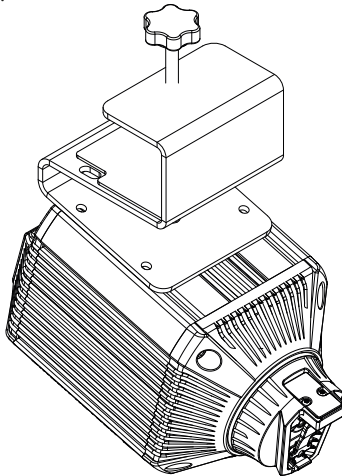
### NOTICE

Maximum supported table thickness is 45mm for table clamp.

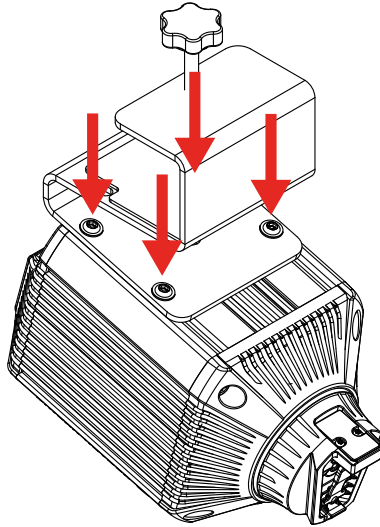
1. Place the wheelbase upside down on a flat surface, with the front facing you.



2. Place the wheelbase table mount upside down on the wheelbase, with mounting holes opening facing you.
3. Align the four (4) mounting holes on the top of the table mount with the four (4) T-nuts in the wheelbase.

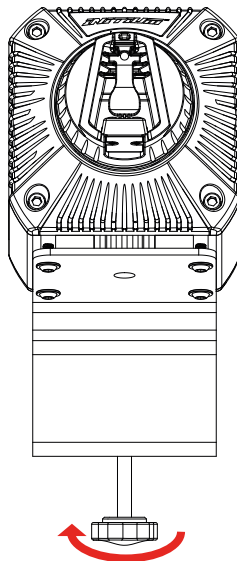


- Place the four (4) x M6x12mm Screws (Included) in the designated holes and screw them in with your hand until you feel resistance.

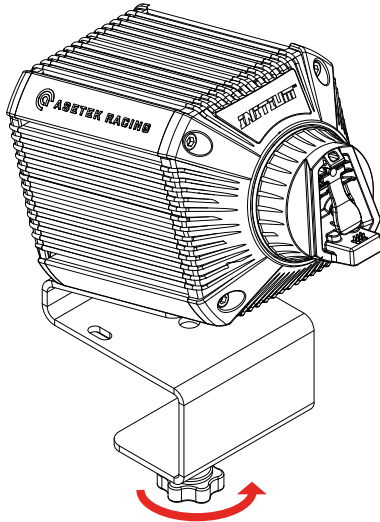


- Use the included Allen key to tighten all the screws until they are secured.

- Loosen the finger screw enough to create a gap that allows the table to fit between the mount and the screw.



- Attach the table mount with the wheelbase to the table and tighten the finger screw until it is secured to the table safely.

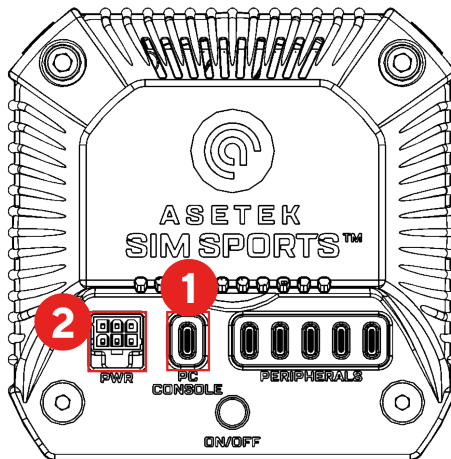


Congratulations. You have successfully mounted your wheelbase to your table.  
Enjoy the ride!

## 4.2 Connecting

Read and understand this manual fully. Do not operate the product if you haven't fully read or understood this manual. Check that the power cable is unplugged before proceeding.

Connect the cables as indicated:



**Important: Always connect POWER IN connector on wheelbase first before connecting power supply to the AC outlet.**

1. Connect the USB cable from the wheelbase to the PC or Xbox Series X|S
2. Connect power supply to Wheelbase POWER IN connector.
3. Connect power supply to 110-240 V AC outlet with protective earth (PE).
4. Fix steering wheel (not included) with an Asetek Quick Release to the wheelbase
5. Download and install RaceHub™ from [www.asetek.com](http://www.asetek.com) website. This product will not operate without installing the software for safety reasons.



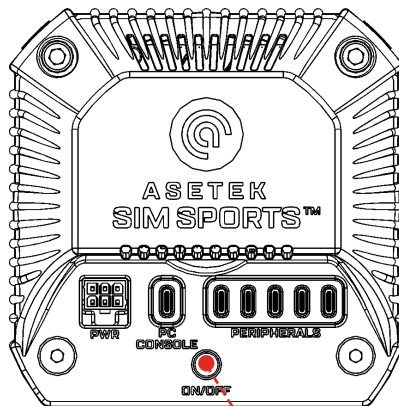
The RaceHub app is only available on PC. On Xbox Series X|S, RaceHub is accessed via RaceHub Link, directly on the Xbox-compatible wheel. Read more about RaceHub Link here:

<https://www.asetek.com/simsports/wp-content/uploads/2025/12/RaceHub-Xbox-Guide.pdf>



### 4.3 Switching Input Modes

Change the input device type on your wheelbase between Xbox and PC by short-pressing the ON/OFF button on the back of your wheelbase while the wheelbase is turned ON. The wheelbase will indicate with a sound that you have successfully switched between modes.



**ON/OFF Button**

# 5. RaceHub™ Software

All Asetek SimSports® and Asetek Racing™ products come with an extremely powerful yet easy-to-use piece of software that we have developed from the ground up. It is called RaceHub™ and will take care of your every need. RaceHub unlocks things you would not dare to dream and is continuously updated.

## 5.1 RaceHub Download

RaceHub is available for download, in its newest version, on our website:  
<https://www.asetek.com/simsports/racehub/>.



The RaceHub app is only available on PC. On Xbox Series X|S, RaceHub is accessed via RaceHub Link, directly on the Xbox-compatible wheel. Read more about RaceHub Link here:  
<https://www.asetek.com/simsports/wp-content/uploads/2025/12/RaceHub-Xbox-Guide.pdf>



### 5.1.1 RaceHub Installation

After completing the download from our website, double-click the downloaded file to initiate the installation. Follow the on-screen instructions and install them in your desired directory. Once installed, open RaceHub using the shortcut on your desktop or in your programs folder.

### 5.1.2 RaceHub Updating

RaceHub will automatically notify you if there are available updates for the software. If you want to double-check, please go to [www.asetek.com/simsports/racehub](https://www.asetek.com/simsports/racehub) and download the newest version. RaceHub has a built-in feature that allows you to update the firmware on your devices automatically.

## 5.2 RaceHub Introduction

RaceHub allows you to make a plethora of adjustments. On the Wheelbase, it will allow you to adjust everything from steering range to the overall force of the wheelbase and much more.

We have made a video collection of introductions that explains all the features in more detail: [https://www.youtube.com/playlist?list=PLDB\\_GeNBCcOpIUhH-D5crs2rNMhde01UR](https://www.youtube.com/playlist?list=PLDB_GeNBCcOpIUhH-D5crs2rNMhde01UR)



Everything is available in a highly user-friendly interface that allows for quick and easy customization that not only gives you complete control but does it in a manner where you are constantly in focus – teaching you everything you need to know to become a power user and expert sim racer.

The settings that you choose in RaceHub will be applied to all the supported games found in section 2.2, “Compatibility”—ensuring maximum performance and precision!

## 6. Troubleshooting

Sometimes unforeseen issues occur. But do not worry, we are here to help.

If you are having issues we suggest consulting the FAQ and troubleshooting section of our Knowledge base at: <https://www.asetek.com/simsports/knowledge-base/>



If you are not able to find a solution on the FAQ please consult our friendly and knowledgeable support staff (See chapter 1.4).

### 6.1 Spare Parts

We strongly advise you only use original Asetek Racing™ spare parts. Failure to do so will void your warranty.

If you have questions, or do not know if you have an original part, please refer to: <https://www.asetek.com/simsports/webshop/>



or consult our support staff via: [www.asetek.com/simsports/support](http://www.asetek.com/simsports/support)



# 7. Safety

The Wheelbase is intended for professional and recreational gaming use. Usage under other conditions is your own responsibility.

Always follow these warnings and safety precautions when using the Wheelbase.

1. Read and retain all instructions before using The Wheelbase.

## Mounting instructions:

[https://www.youtube.com/playlist?list=PLDB\\_GeNBCcOra97JjanFEj3f9IbSFYRcr](https://www.youtube.com/playlist?list=PLDB_GeNBCcOra97JjanFEj3f9IbSFYRcr)



## Software instructions:

<https://www.youtube.com/watch?v=KpRkW57vaTw>



2. COMPLETELY REMOVE HANDS FROM WHEEL upon forceful torque feedback or impact due to RISK OF BODILY INJURY from high torque effects.
3. USE POWER ON/OFF BUTTON when necessary to cut power to the motor and stop further motion, rotation, and torque.
4. DO NOT attempt to stop a freely rotating wheel by grabbing or holding it. NEVER reach THROUGH the wheel with fingers, hands, or arms due to the risk of sudden or unexpected rotation. RISK OF BODILY INJURY due to rotating parts.
5. KEEP ITEMS AWAY FROM WHEEL such as loose clothing, jewelry, hair, cables/cords/wires, or other easily tangled objects that can get caught in strong pull force of rotating wheel and shaft. RISK OF ENTANGLEMENT AND INJURY due to rotating parts.
6. DO NOT TOUCH MOTOR UNIT during or shortly after use as motor gets very hot. RISK OF BURN INJURY.
7. RISK OF ELECTRIC SHOCK OR FIRE. For indoor use only. Use only the power cord that comes with the wheelbase. DO NOT USE power cord if damaged, split or broken cords, wires or plugs. DO NOT expose product or power cord to rain or damp environments. Do not use in direct sunlight and do not expose to any heat sources. Avoid using during lightning storms. Recommended indoor temperature range: 0°C ~ 40°C/32°F ~ 104°F.

8. THIS IS NOT A TOY. Not for use by PERSONS under 15 years of age or THOSE with reduced physical, sensory, or mental capabilities, or lack of experience and knowledge. Users must be physically and mentally able to engage in force feedback simulated driving experience.
9. ADULT SUPERVISION REQUIRED AT ALL TIMES WHEN OPERATING THE WHEELBASE.
10. Keep people and pets away when THE WHEELBASE is being operated.
11. DO NOT TAMPER WITH, DISASSEMBLE, OR OPEN any of the parts or components of the Wheelbase as this can cause serious injury and will void the product warranty.
12. DO NOT ALTER, MODIFY, OVERRIDE, or DEFEAT the software or hardware components of the Wheelbase. Any unauthorized modification could impair the function and/or safety of this product and result in serious injury and will void the product warranty. Use of accessories not approved or recommended by the manufacturer can potentially cause injuries.
13. CONSULT INSTRUCTION MANUAL FOR SAFE MOUNTING OF MOTOR UNIT.
14. TAKE BREAKS TO AVOID RISK OF MOTION INJURY AND STRAIN. Take a 5-minute break every 20 minutes [or “take a 10-to15-minute break every hour”] even if you don’t think you need it. If your hands, wrists, arms, shoulders, neck, or eyes become tired or sore while playing, or if you feel symptoms such as tingling, numbness, burning or stiffness, stop and rest for several hours before playing again. Consult a physician if any of these symptoms persist.
15. STOP USING PRODUCT IF YOU FEEL DIZZY OR NASEOUS. RISK OF MOTION SICKNESS. Do not drive or engage in other demanding activity until you feel better.
16. This product is intended for simulated driving only. Wait 1 hour after using before driving an actual vehicle.
17. This product has magnets which may interfere with pacemakers, defibrillators and programmable shunt valves or other medical devices. Do not put this product close to these medical devices and the person who use any of these medical devices. Consult your doctor before using this product, if you have any concerns.

If you are in doubt about any of the above listed items, please reach out to our customer support (See chapter 1.4).

# 8. De-commissioning & Sustainability

At Asetek we are fiercely committed to making the world a sustainable place. You can read more about Asetek’s sustainability efforts, including our sustainability reports, here: [www.asetek.com/company/sustainability](http://www.asetek.com/company/sustainability)



This symbol indicates that this product should not be thrown away with other household waste throughout the EU. To prevent possible harm to the environment or human health by uncontrolled waste disposal, you are responsible for recycling it so that it can promote the sustainable reuse of raw materials. To return your used product, you can use the regular return and collection systems.

## 8.1 Packaging

All packaging is to the extent possible, made of paper and cardboard. All our cardboard and paper products are labeled with the FSC mark, ensuring maximum reusability and that the forests are sustainably forested. Furthermore, we regularly check our vendors to make sure they are upholding their commitments.

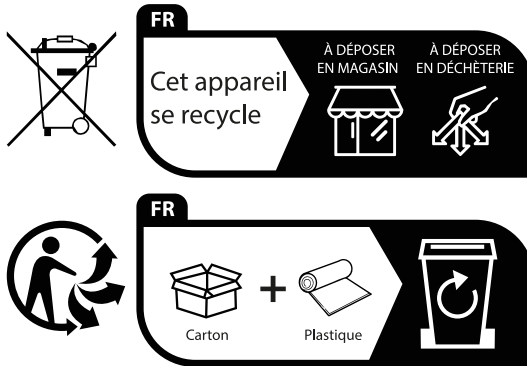
About FSC: [www.fsc.org/en/fsc-labels](http://www.fsc.org/en/fsc-labels)

If you need to dispose of your packaging, please use the appropriate paper waste stream in your country, to dispose of the packaging. Naturally, we hope you want to keep it around – we are quite proud of it.

## 8.2 Product

Asetek SimSports® and Asetek Racing™ is committed to making products that will last. However, we also know that sometimes things break, and that should not result in a scrap and forget, producing even more e-waste to our planet. If you feel uncertain about how to recycle any Asetek SimSports® or Asetek Racing™ product, we suggest getting in touch with our dedicated customer support team, who will happily help you.

Contact support (See chapter 1.4)



Points de collecte sur [www.quefairedemesdechets.fr](http://www.quefairedemesdechets.fr)  
Privilégiez la réparation ou le don de votre appareil !

## 9. Declaration of conformity

We Asetek, as the manufacturer, declare that products from the brand Asetek are tested according to all relevant CE standards/regulations and passed all tests.

The complete Declaration of Conformity can be found and downloaded via:  
<https://www.asetek.com/simsports/declarations/>

***WHERE REAL  
RACING STARTS***