

Congratulations on your new Asetek Racing™ Initium™ Steering Wheel

This manual is written for the end-user of the Asetek Racing™ Initium™ Steering Wheel and contains all the information required to correctly and safely install and use your new product.

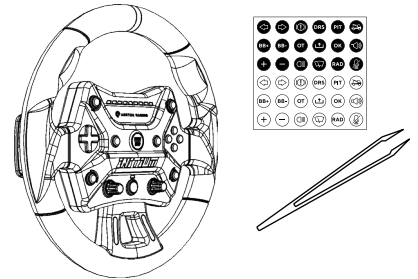
WARNING:

- Choking Hazard - Small parts. Not for children under 3 years.
- Use of the wheel is allowed only by an instructed person who understands and follows the above safety instructions.
- If the wheel becomes damaged in any way, stop using it immediately and contact Asetek support or the reseller from whom you bought it.
- Operating environment:
 - 0°C - 40°C room temperature, non-condensing humidity
 - Indoor use only

Warranty

Asetek SimSports® offers 24 Month warranty on all products.

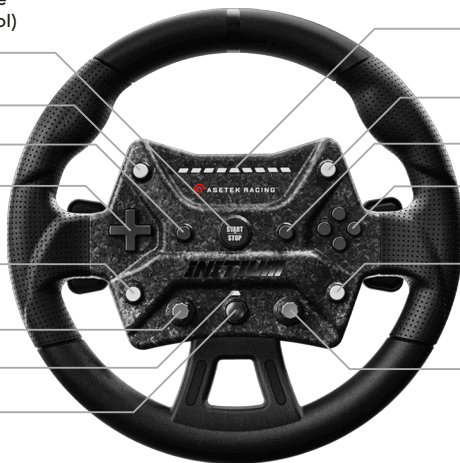
Box Contents



Wheel Overview



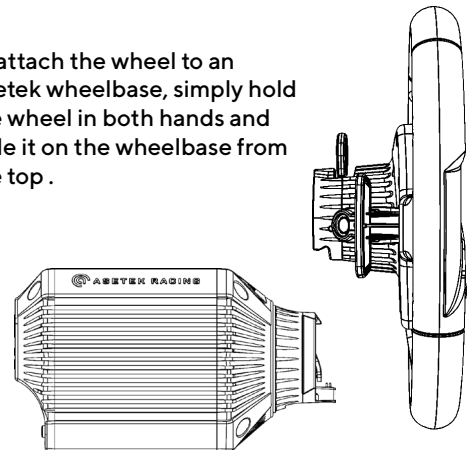
- Quick Release Paddle
- Quick Release
- Magnetic Shifter Paddle



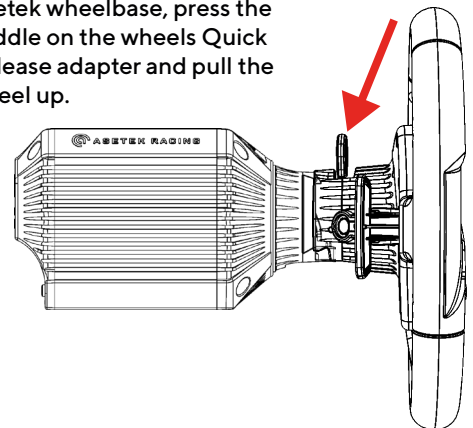
- Start/Stop button (Torque On/Off wheelbase control)
- aRGB LED Backlit
- Push button with aRGB LED light
- Push button
- D-Pad
- Push button with aRGB LED light
- Rotary encoder to adjust Up/Down or steps
- Status aRGB
- Push button
- 9x aRGB RevLEDs
- Push button with aRGB LED light
- Push button
- 4x Push buttons
- Push button with aRGB LED light
- Rotary encoder to adjust Up/Down or steps

Quick Release Adapter

To attach the wheel to an Asetek wheelbase, simply hold the wheel in both hands and slide it on the wheelbase from the top.



To Detach the wheel from an Asetek wheelbase, press the paddle on the wheels Quick Release adapter and pull the wheel up.



Need Assistance?

Support



Knowledge base



Videos



Manual Version 1.1

De-commissioning & Sustainability

At Asetek we are fiercely committed to making the world a sustainable place. www.asetek.com/company/sustainability

Packaging

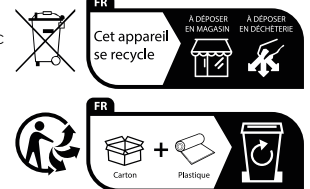
All packaging is made of paper and cardboard. All our cardboard and paper products are labeled with the FSC mark, ensuring maximum reusability and that the forests are sustainably forested. Furthermore, we regularly check our vendors to make sure they are upholding their commitments.

About FSC: www.fsc.org/en/fsc-labels

If you need to dispose of your packaging, please use the appropriate paper waste stream in your country, to dispose of the packaging. Naturally, we hope you want to keep it around - we are quite proud of it.

Product

If you feel uncertain about how to recycle any Asetek SimSports® or Asetek Racing™ product, we suggest getting in touch with our dedicated customer support team, who will happily help you.



Points de collecte sur www.quefairedemesdechets.fr
Privilégiez la réparation ou le don de votre appareil !